

NORRIS BT600 AWC

code: 60-500-CB



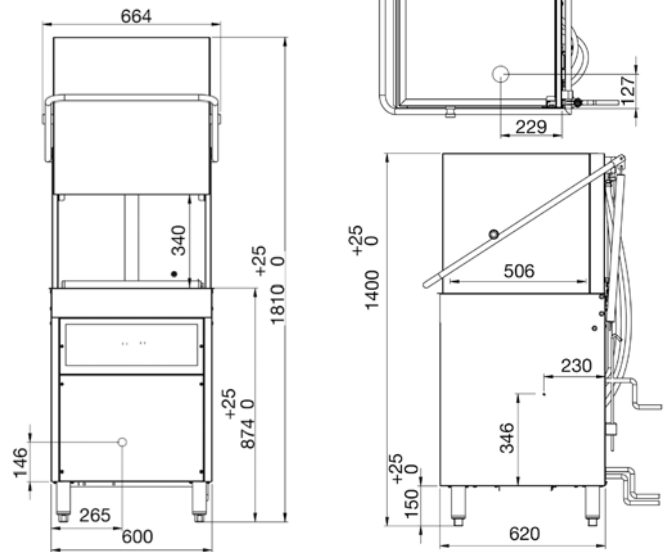
The BT600 Advanced Wash Control model has been designed to be simple and reliable. At only 15 amps of power, this commercial passthrough dishwasher can simply be plugged into the wall.

FEATURES

- **Warranty – 2 years parts and labour, 5 years on the cabinet & control board** (see p.28 for conditions & extended warranty offer)
- Ergonomic passthrough dishwasher
- Recirculating wash system
- Cleans up to 600 plates per hour
- Automatic detergent & rinse aid injection
- 1, 2 & 3 minute wash cycle options
- Easy to install 15 amps
- Hood safety cut off switch
- Rinse temperature accurately controlled by the thermostop function
- High grade stainless steel welded cabinet, wash arms and scrap trays for durability
- Optional drain pump
- Australian made

INCLUSIONS

- 2 x Plate racks 500mm x 500mm
- 1 x Cup rack 500mm x 500mm
- 1 x Cutlery container
- 1 x Water connection hose
- 2 x Chemical weights & filters
- 1 x Operating manual



TECHNICAL DATA

Height

Cabinet	1255 mm
Cabinet inc. legs	1405-1435 mm
With hood extended	1812-1842 mm
Usable Wash	340 mm

Width

Cabinet	600 mm
Inc. handle	680 mm

Depth

Cabinet	620 mm
Inc. handle	890 mm

Capacities

Loads/Hour	up to 40*
Water per Cycle	3L*
Wash Pump	720W
Wash Tank Litres	22
Boiler Litres	6
Element (wash)	1700W
Element (boiler)	3000W
Detergent Injection	yes
Rinse Aid Injection	yes

Temperatures

Wash Degrees C	62 °C
Rinse Degrees C	85 °C

Plumbing

Drain	32mm Gravity (Drain Pump optional)
Water	½" BSP (hot)

Electrical

Volts/Hz	240V AC/50Hz
Max. Amp. load	15amps

Note: this machine has load shedding capability

* Subject to incoming water temperature + pressure

Water pressure requirements are: 10L/min at 200-400 kPa max.