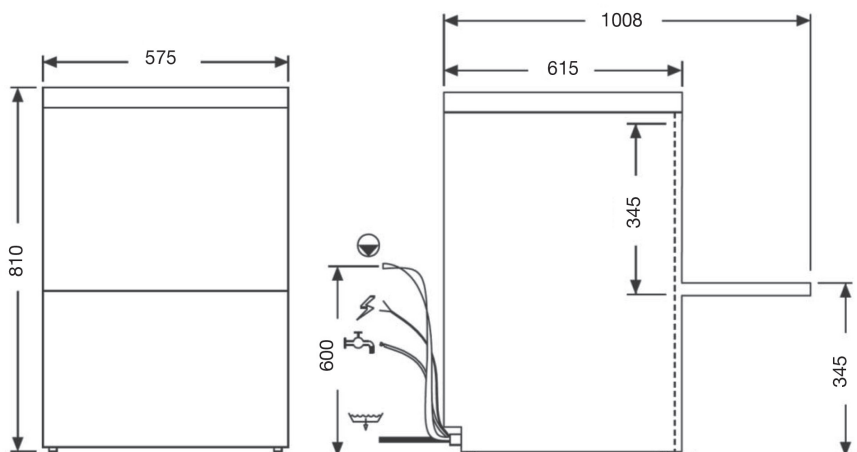


## MADISON BANTAM



A compact commercial dishwasher suitable to use in residential commercial locations.

### FEATURES

- **Warranty:** 1 year parts and labour, 3 years on the control board & cabinet (see p.26 for conditions & extended warranty offer)
- 1, 2 & 3 minute wash cycle options
- Up to 500 plates per hour\*
- Automatic detergent injection
- Automatic drain (no stem pipe)
- 10 amp power suitable for home
- Easy cleaning
- Recirculating wash system at 2.7L per cycle
- Pump out drain as standard

### INCLUSIONS

- 1 x Flat rack insert 500mm x 500mm
- 1 x Plate rack insert 500mm x 500mm
- 1 x Cutlery container
- 1 x Water connection hose
- 1 x Drain hose
- 1 x Operating manual

### TECHNICAL DATA

Height	
Cabinet	810 mm
Cabinet inc. legs	840 mm
Usable Wash	345 mm
Width	
Cabinet	575 mm
Depth	
Cabinet	615 mm
With door open	1008 mm
Capacities	
Loads/Hour	up to 20*
Water per Cycle	2.7L*
Wash Pump	500W
Wash Tank Litres	20
Boiler Tank Litres	6
Element (wash)	1400W
Element (boiler)	1500W
Detergent Injection	yes
Rinse Injection	no
Temperatures	
Wash Degrees C	60 °C
Rinse Degrees C	82 °C
Plumbing	
Drain	Pump out
Water	¾" BSP (hot)
Electrical	
Volts/Hz	240V AC/50Hz
Amps	10amps

\* Subject to incoming water temperature + pressure

