

UPRIGHT

BT2000 AWC



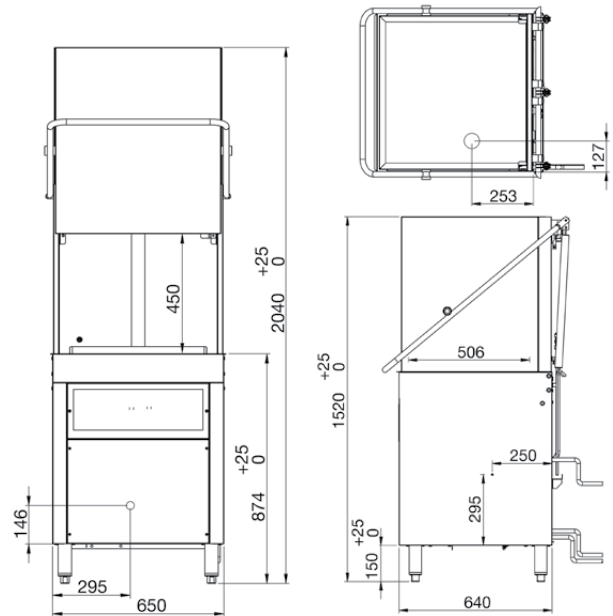
The Norris BT2000 Advanced Wash Control model is a high performance machine that is designed to fit into today's compact and busy kitchens. With the 895W wash pump, this machine will move even the hardest baked on food residue, reducing the need for double washing.

FEATURES

- **Warranty – 5 years on the control board, 2 years on parts and labour – 5 years on the entire machine available (conditions apply)**
- Ergonomic passthrough dishwasher
- Recirculating wash system
- Cleans up to 1080 plates per hour
- 60/90/120sec, manual and descale wash cycle options
- Three phase power decreasing recovery time
- Automatic detergent and rinse aid injection
- Hood safety cut out switch
- Powerful 895W wash pump
- Rinse temperature accurately controlled by the thermostop function
- Large useable wash height of 450mm
- Adjustable legs to suit bench requirements
- Easy service access minimising maintenance disruption
- High grade stainless steel welded cabinet, wash arms and scrap trays
- Optional drain pump
- Australian made

INCLUSIONS

- 2 x Plate racks 500mm x 500mm
- 1 x Cup rack 500mm x 500mm
- 1 x Cutlery container
- 1 x Water connection hose
- 2 x Chemical weights & filters
- 1 x Operating manual



TECHNICAL DATA

Height

Cabinet	1370 mm
Cabinet inc. legs	1520-1550 mm
With hood extended	1970-2000 mm
Usable Wash	450mm

Width

Cabinet	650 mm
Inc. handle	707 mm

Depth

Cabinet	640 mm
Inc. handle	960 mm

Capacities

Loads/Hour	up to 55*
Water per Cycle	3L
Wash Pump	895W
Rinse Pump	310W
Wash Tank Litres	34
Rinse Tank Litres	12
Element (wash)	1700W
Element (rinse)	11400W
Detergent Injection	yes
Rinse Aid Injection	yes

Temperatures

Wash Degrees C	62 °C
Rinse Degrees C	85 °C

Plumbing

Drain	32mm Gravity (Drain Pump Optional)
Water	½" BSP (hot)

Electrical

Volts/Hz/Phase	415V AC/50Hz/3+N
Amps	25amps/Ph

Note: this machine has load shedding capability

* Subject to incoming water temperature

