

UPRIGHT

BT700/3 AWC



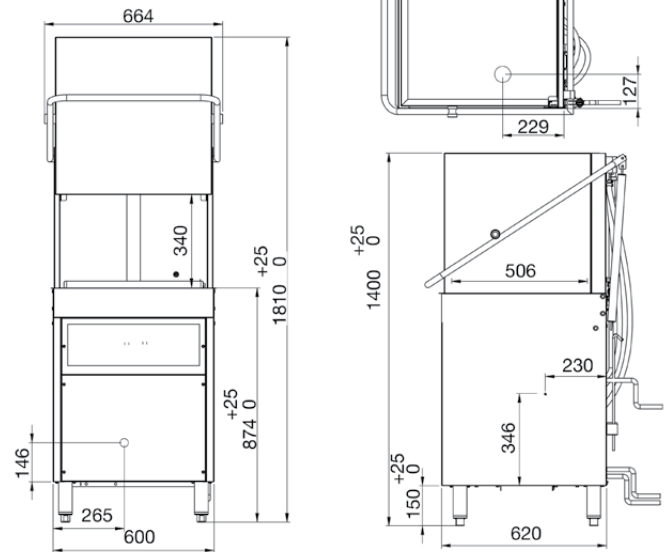
The BT700/3 Advanced Wash Control model is available in single or 3 phase power, allowing the machine to be installed in a greater variety of buildings. With the inclusion of a rinse pump, this machine will not be slowed by any water pressure issues, cleaning perfectly time after time.

FEATURES

- **Warranty – 5 years on the control board, 2 years on parts and labour – 5 years on the entire machine available (conditions apply)**
- Ergonomic passthrough dishwasher
- Recirculating wash system
- Cleans up to 700 plates per hour
- Automatic detergent & rinse aid injection
- 60/90/120sec, manual and descale wash cycle options
- Single or three phase power
- Hood safety cut out switch
- Rinse temperature accurately controlled by the thermostop function
- Adjustable legs to suit bench requirements
- Easy service access minimising maintenance disruption
- High grade stainless steel welded cabinet, wash arms and scrap trays for durability
- Optional drain pump
- Australian made

INCLUSIONS

- 2 x Plate racks 500mm x 500mm
- 1 x Cup rack 500mm x 500mm
- 1 x Cutlery container
- 1 x Water connection hose
- 2 x Chemical weights & filters
- 1 x Operating manual



TECHNICAL DATA

Height

Cabinet	1255 mm
Cabinet inc. legs	1405-1435 mm
With hood extended	1812-1842 mm
Usable Wash	340 mm

Width

Cabinet	600 mm
Inc. handle	680 mm

Depth

Cabinet	620 mm
Inc. handle	890 mm

Capacities

Loads/Hour	up to 40*
Water per Cycle	3L
Wash Pump	720W
Rinse Pump	310W
Wash Tank Litres	22
Rinse Tank Litres	12
Element (wash)	1700W
Element (rinse)	8900W
Detergent Injection	yes
Rinse Aid Injection	yes

Temperatures

Wash Degrees C	62°C
Rinse Degrees C	85 °C

Plumbing

Drain	32mm Gravity (Drain Pump optional)
Water	½" BSP (hot)

Electrical

Volts/Hz/Phase	415V AC/50Hz/3+N
Amps	20amps/Ph

* Subject to incoming water temperature + pressure

